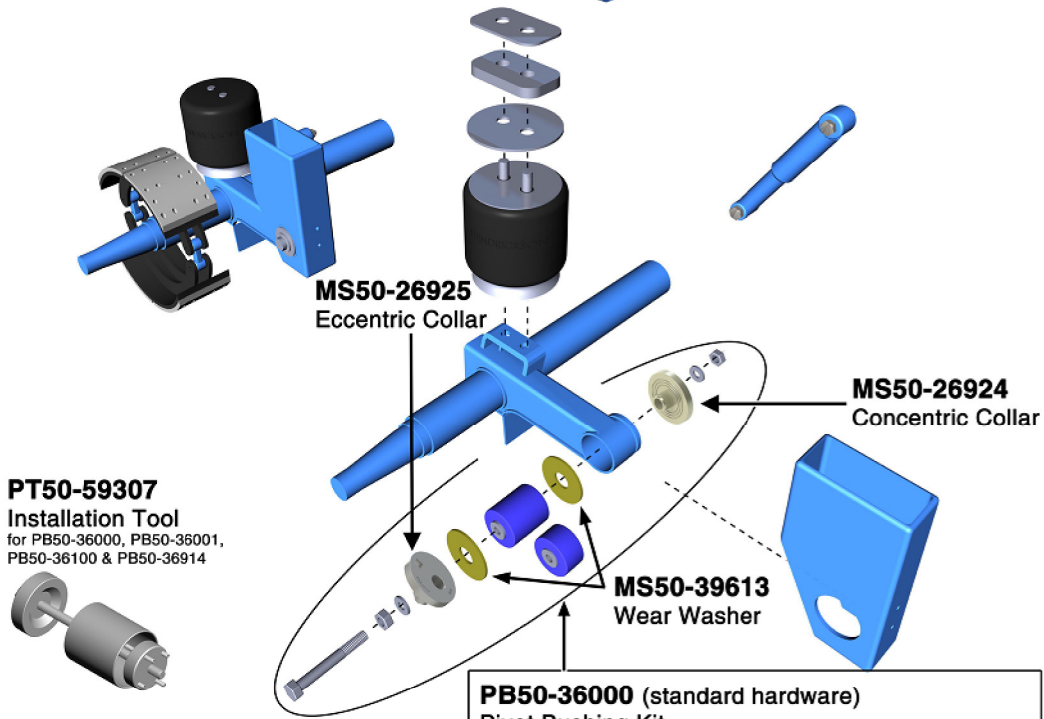
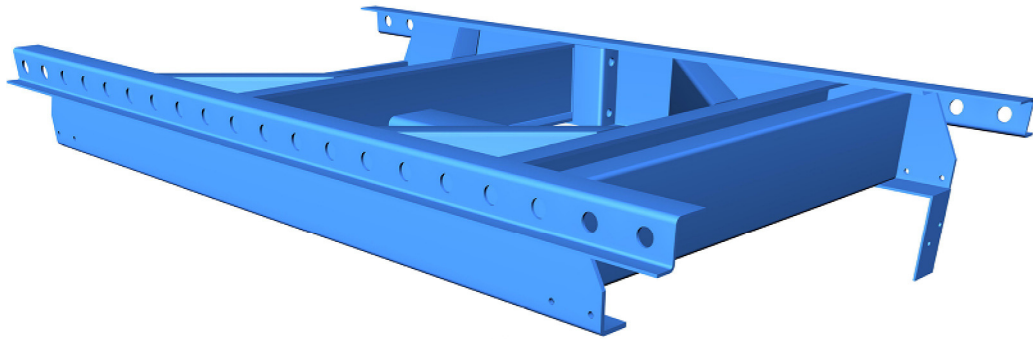


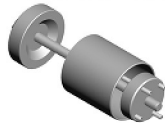
SUSPENSION SCHEMATICS

ATRO PARTS
 ENGINEERED | DURABLE | RELIABLE
 MANUFACTURED IN ST. CLAIR, MISSOURI | U.S.A.

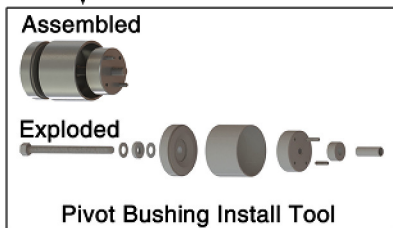
HENDRICKSON INTRAAX®/VANTRAAX®



PT50-59307
 Installation Tool
 for PB50-36000, PB50-36001,
 PB50-36100 & PB50-36914



PT50-59736
 Installation Tool
 for PB50-36321 & PB50-36322



- PB50-36000** (standard hardware)
Pivot Bushing Kit
- PB50-36001**
Pivot Bushing Kit w/**HW50-26679** SHEAR Bolt Kit
- PB50-36100**
Pivot Bushing Kit (no hardware)
- PB50-36321**
Pivot Bushing Kit (for narrow beam)
- PB50-36322**
Pivot Bushing Kit w/**HW50-26705** SHEAR Bolt Kit (for narrow beam)
- PB50-36364**
Pivot Bushing ONLY (for narrow beam)



POLYURETHANE PARTS | SOLUTIONS FOR HEAVY TRUCKS

ATROBUSHING.COM
 ©2017 ATRO ENGINEERED SYSTEMS, INC.

6 Bolte Lane
 St. Clair, Missouri 63077 | U.S.A.
 (800) 325.6114 | Fax (866) 920.2005